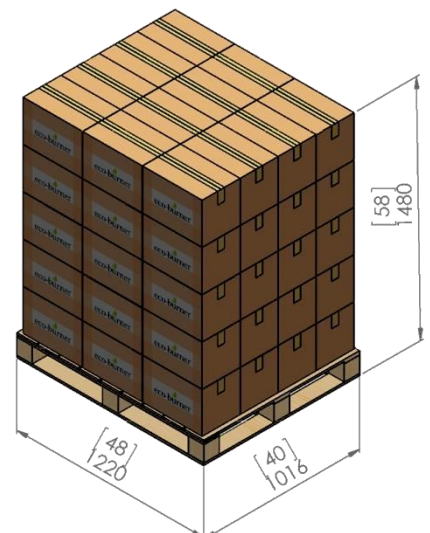
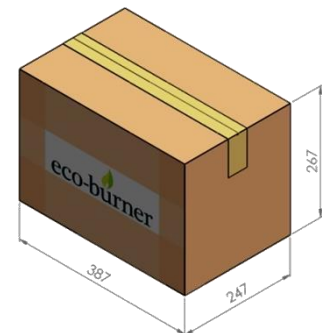
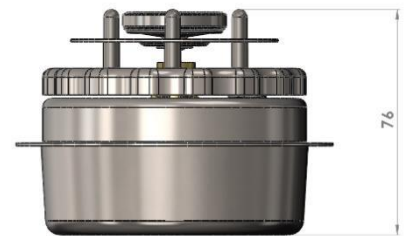
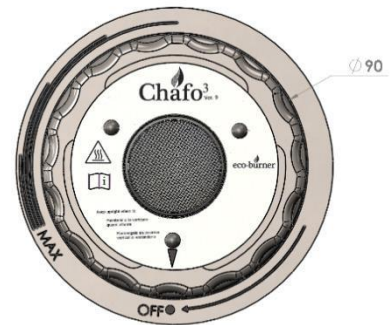
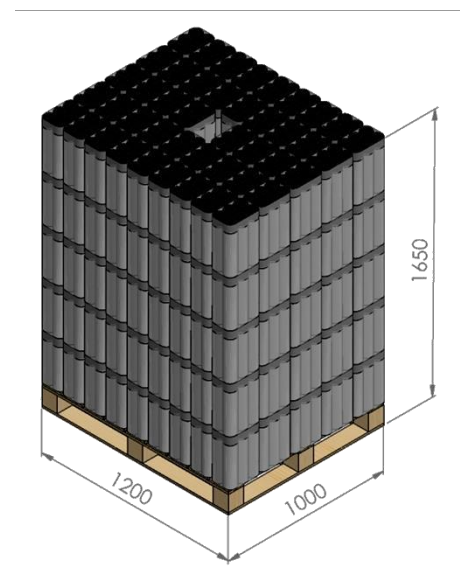


Product	Chaf ³ Portable Burner P/N 8999
Fuel	LPG - Butane/Propane Mixture
Power Output*	MAX setting = Equivalent to traditional Ethanol/Methanol based Gel chafing fuel. Reduced setting = Equivalent to traditional DEG based wick chafing fuel.
Burn Time*	5 hrs on MAX setting. 7.5 hrs on reduced setting.
Fuel Fill Time*	40 seconds from empty.
Fuel Fill Weight*	90 g
Chaf³ Empty Weight*	340 g
Safety Features	Patented tip-over safety valve – shuts off fuel supply if the Chaf ³ becomes inverted. Patent pending over-temperature valve – shuts of fuel supply if the Chaf ³ vessel overheats.
Certification	Complies with the European Gas Appliances Directive and is CE marked. ETL Listed Mark certifying product compliance to ANSI American safety standards and CSA Canadian safety standards.
Packaging	18 Chaf ³ per outer pack. Pack Weight 7.7 kg 60 packs per pallet – 1080 Chaf ³ per pallet Pallet Weight 480 kg Harmonised Tariff Code 732111 Country of Origin: Ireland
* Figures are approximate All Dimensions are approximate Dimensions are in mm [inch]	



Product	Eco-burner Fuel P/N 9004
Canister Contents	LPG - Butane/Propane Mixture
Canister Net Capacity	800 ml
Canister Fill Volume/Weight	@ 20°C = 670 ml /374 g @ 50°C = 724 ml /374 g
Canister Pressure Rating	1.8 MPa (18 bar, 261 psi)
Fuel Vapour Pressure	@ 20°C = 273 kPa (2.73 bar, 39.6 psi) @ 50°C = 724 kPa (7.24 bar, 105 psi)
Heat of Combustion	49.69 MJ/kg (21,363 btu/lb)
Compliance with Safety Standards	Produced in compliance with 75/324/EEC Aerosols Dispensers Directive and Section 6 of the European Agreement on the International Carriage of Dangerous Goods by Road (ADR)
MSDS	Available at www.ecoburner.com/msds
Packaging	Supplied shrink-wrapped 6 Canisters per case. Pack Weight 3.2 kg 180 cases per pallet – 1080 Canisters per pallet. Shipped on 1200 x 1000 pallets Pallet Weight 600 kg Harmonised Tariff Code 27111397 Country of Origin: United Kingdom
All Dimensions are approximate Dimensions are in mm [inch]	



Product	Chafo Filling Station P/N 9502
Description	Filling Station, for user control of Chafo fuel level and burn time.
Packaging	Supplied boxed, 1 Filling Station per case. Pack Weight 3.4 kg Harmonised Tariff Code 8423101000 Country of Origin: Ireland
All Dimensions are approximate Dimensions are in mm	



Product	Burner head replacement kit (contains 20 x individually packed kits) P/N 9504
Description	Replacement head for Chafo 3.1, kit also includes Chafo cleaning adapter.
Packaging	Supplied boxed, 20 individual packed kits per case. Designed to be broken down and sold as 20 individual kits. 20 Pack Weight 652 g (23 oz.) 20 Pack Dimensions 242 x 125 x 77 mm 20 Pack Dimensions 9.5 x 5 x 3 inch 20 Pack UPC code: 849106000091 Individual kit weight 25g (0.9 oz.) Individual kit dimensions 60 x 45 x 12 mm Individual kit dimensions 2.4 x 1.8 x 0.5 inch Individual kit UPC code: 849106000084 Harmonised Tariff Code 73219000 Minimum order qty: 1 Country of Origin: Ireland
All Dimensions are approximate	
For kit usage instructions see: www.ecoburner.com/changehead	

